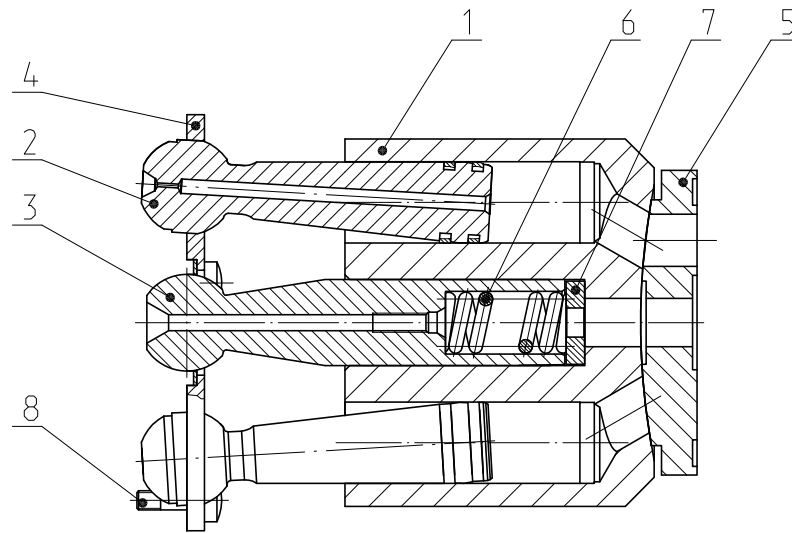


Spare parts list

A2FM - axial piston fixed motor
 A2FE - axial piston fixed motor, plug-in design
 A2FO - axial piston fixed pump



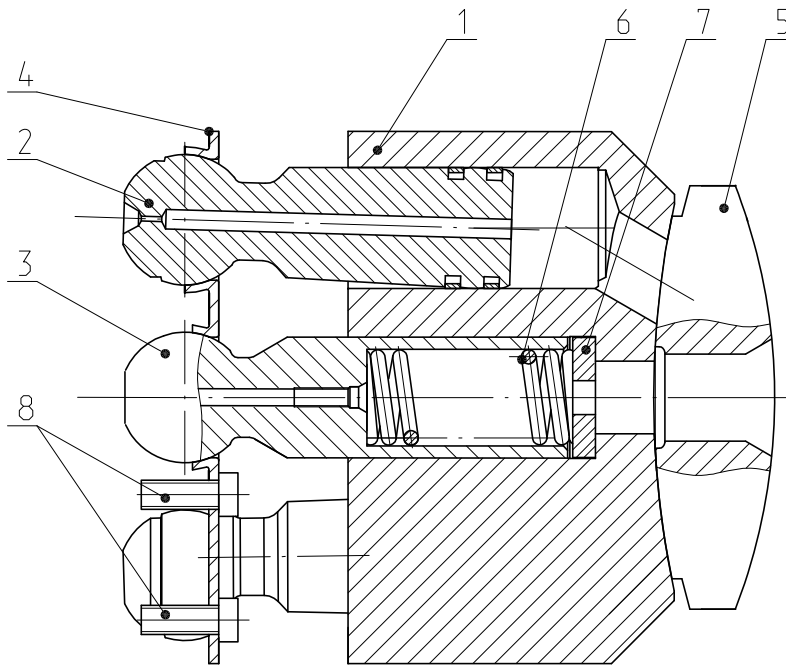
pos.	designation	part No.		quantity
		56 ccm/rev	107 ccm/rev	
1	cylinder block			1
2	piston with piston rings			7
3	center pin			1
4	retaining plate			1
5	control plate			1
6	pressure spring			1
7	adjustment shim			1
8	screw			7

Spare parts list

A6VM - axial piston variable motor

A6VE - axial piston variable motor, plug-in design

A7VO - axial piston variable pump



pos.	designation	part No.	quantity
		107 ccm/rev	
1	cylinder block		1
2	piston with piston rings		7
3	center pin		1
4	retaining plate		1
5	control plate		1
6	pressure spring		1
7	adjustment shim		1
8	screw		7

Date: 23.01.2015

PSM-Export Ltd.

8, 1st km., Sibirsky trakt, Ekaterinburg, Russia, P.C.: 620100

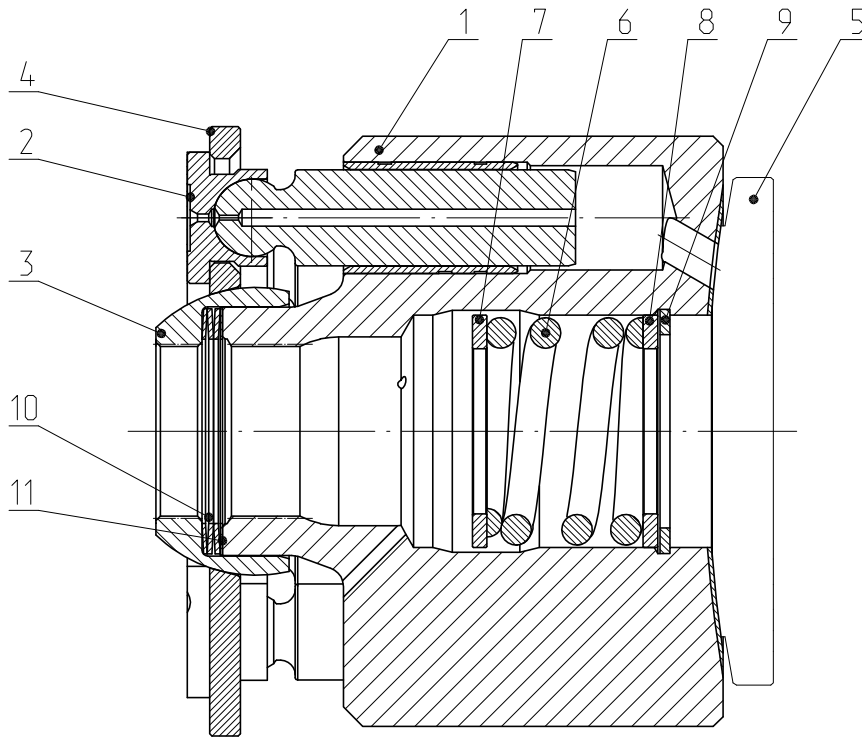
tel./fax: +7 (343) 264-66-50, 229-92-06

e-mail: trade@psmural.ru

www.psm-export.ru

Spare parts list

A4VG (A4VTG) - axial piston variable pump



pos.	designation	part No.			quantity
		28 ccm/rev	90 ccm/rev	125 ccm/rev	
1	cylinder block				1
2	piston				9
3	retaining ball				1
4	retaining plate				1
5	control plate				1
6	pressure spring				1
7	adjustment shim				1
8	adjustment shim				1
9	retaining ring				1
10	spring				3
11	adjustment shim				2